

ZEHUI

WWW.CHINAZEHUI.COM

AIR FRYER AIR FRYER OVEN



YONGKANG ZEHUI METAL PRODUCTS CO.,LTD

ADDRESS: NO.16 BEIHU ROAD, YONGKANG, ZHEJIANG, CHINA

TEL.:+86 579 87268317

E-MAIL: SALES@CHINAZEHUI.COM

WWW.CHINAZEHUI.COM



YONGKANG ZEHUI
METAL PRODUCTS CO.,LTD

YONGKANG
ZEHUI METAL
PRODUCTS CO.,LTD



OUR VISION

To be best AIR FRYER manufacturer in the world!



OUR MISSION

Live with a healthy diet every day!



OUR VALUES

To respect the philosophy of innovation and quality first!

ABOUT ZEHUI

A PROFESSIONAL MANUFACTURER ENGAGED IN R&D, MANUFACTURING, MARKETING AIR FRYER AND AIR FRYER OVEN.

FOUNDED IN **2002**, COVERED WITH **57000M²** AREA, OVER **1000** WORKERS, **350000** PCS MONTHLY PRODUCTION CAPACITY.

BSCI AND ISO9001 CERTIFIED COMPANY

ALL PRODUCTS APPROVED BY ETL, FDA, CE, CB, GS, LFGB, REACH, ROHS etc.

LONG TERM COOPERATION WITH WORLDWIDE CLIENTS, SUCH AS TRISTAR, KALORIK, ELITE, LOCK&LOCK, EMART, PRINCESS, DAEWOO,ALSAIF... ..

PRODUCTION SITE +



TEST +



CERTIFICATE +

We believe that through our incessant efforts & your strong support, we could create a win-win situation and bright future together.



PRODUCT FEATURE +

PRODUCT ADVANTAGE

- LESS OIL:** The air fryer & air fryer oven technology is the healthier alternative to frying with oil or little oil.
- HEALTHY:** On average, air fryer requires 80% less oil than conventional fryer.
- MULTIFUNCTIONAL:** Fry, grill, bake and roast your favorite recipes in a efficient way.
- DISHWASHER SAFE:** Detachable basket are dishwasher-safe for a quickly and easy clean up.

WORKING PRINCIPLE

- STEP 1:** Baking device on the top heats air rapidly.
- STEP 2:** Through powerful fan, high temperature air fast circulate in food basket.
- STEP 3:** The specific designed inner system contribute to air swirl with specific pattern, which can fully contact with food surface and quickly taken away vapor on the food surface.

CATALOGUE ⁺



2L

MINI TYPE AIR FRYER SERIES

PAGE 05-05



2.5L

AIR FRYER SERIES

PAGE 05-05



3.5L

AIR FRYER SERIES

PAGE 05-05



4.0L

SINGLE POT AIR FRYER SERIES

PAGE 05-05



4.0-6.0L

AIR FRYER SERIES

PAGE 05-05



5.5L

AIR FRYER SERIES

PAGE 05-05



7.5L

AIR FRYER SERIES

PAGE 05-05



12.0L

AIRFRYER OVEN SERIES

PAGE 05-05

ZEHUI
YONGKANG ZEHUI METAL PRODUCTS
CO.,LTD

2L场景图
201A,206



ZH

AIR FRYER 2L MINI TYPE

Healthier way to enjoy your favorite fried food or simple need to save time in the kitchen.

**GLA-201****GLA-203****GLA-205****GLA-207**

+ GLA-201/GLA-203/GLA-205/GLA-207 (MANUAL)

CAPACITY	2L
VOLTAGE	110V~127V/220V~240V
FREQUENCY	50/60HZ
WATTAGE	1000W
GB MEAS	27*27*36cm
CTN MEAS	53.5*27*35.5mm
QTY/CTN	2PCS/CTN
NW/PCS	2.7kg
GW/CTN	7kg
LOADING QTY	1200pcs/20GP 2160pcs/40GP 2640pcs/40HQ

FEATURES OF AIR FRYER:

1. Make crispy food with less oil.
2. Simply operate step for faster cooking.
3. Cool touch housing.
4. Overheating protection.
5. Handle button with cover protection.
6. Dishwasher-safe frying basket/frying plate.

**ZEHUI**
YONGKANG ZEHUI METAL PRODUCTS CO.,LTD**GLA-201A****GLA-203A**

+ GLA-201A/GLA-203A (MANUAL)

CAPACITY	2L
VOLTAGE	110V~127V/220V~240V
FREQUENCY	50/60HZ
WATTAGE	1000W
GB MEAS	27*27*36cm
CTN MEAS	53.5*27*35.5mm
QTY/CTN	2PCS/CTN
NW/PCS	2.7kg
GW/CTN	7kg
LOADING QTY	1200pcs/20GP 2160pcs/40GP 2640pcs/40HQ

FEATURES OF AIR FRYER:

1. Make crispy food with less oil.
2. Simply operate step for faster cooking.
3. Cool touch housing.
4. Overheating protection.
5. Handle button with cover protection.
6. Dishwasher-safe frying basket/frying plate.



ZH

AIR FRYER 2L MINI TYPE

Healthier way to enjoy your favorite fried food or simple need to save time in the kitchen.



GLA-202



GLA-202A



GLA-206

+ GLA-202/GLA-202A/GLA-206 (DIGITAL)

CAPACITY	2L
VOLTAGE	110V~127V/220V~240V
FREQUENCY	50/60HZ
WATTAGE	1000W
GB MEAS	27*27*36cm
CTN MEAS	53.5*27*35.5mm
QTY/CTN	2PCS/CTN
NW/PCS	2.7kg
GW/CTN	7kg
LOADING QTY	1200pcs/20GP 2160pcs/40GP 2640pcs/40HQ

FEATURES OF AIR FRYER:

1. Make crispy food with less oil.
2. Simply operate step for faster cooking.
3. Cool touch housing.
4. Overheating protection.
5. Handle button with cover protection.
6. Dishwasher-safe frying basket/frying plate.



Temp Control



30min Timer



Capacity



Non-stick Coating



2.5L SERIES

AIR FRYER

Healthier way to enjoy your favorite fried food or simple need to save time in the kitchen.



AIR FRYER 2.5L

Healthier way to enjoy your favorite fried food or simple need to save time in the kitchen.



GLA-608



GLA-608A




- FRYING BASKET&POT



- FRYING PLATE&POT

+ GLA-608/GLA-608A (MANUAL)

CAPACITY	2.5L basket; 3.5L pot	FEATURES OF AIR FRYER: <ol style="list-style-type: none"> 1. Make crispy food with less oil. 2. Simply operate step for faster cooking. 3. Cool touch housing. 4. Overheating protection. 5. Handle button with cover protection. 6. Dishwasher-safe frying basket/frying plate.    
VOLTAGE	110V~127V/220V~240V	
FREQUENCY	50/60Hz	
WATTAGE	1300W	
QTY/CTN	2PCS/CTN	
GB MEAS	30*30*33cm	
CTN MEAS	62*32*36mm	
NW/PC	3.5kg	
GW/CTN	9kg	
LOADING QTY	820pcs/20GP 1736pcs/40GP 1933pcs/40HQ	



GLA-608B



GLA-608C



- FRYING BASKET&POT



- FRYING PLATE&POT

+ GLA-608B/GLA-608C (MANUAL)

CAPACITY	2.5L basket; 3.5L pot	FEATURES OF AIR FRYER: <ol style="list-style-type: none"> 1. Make crispy food with less oil. 2. Simply operate step for faster cooking. 3. Cool touch housing. 4. Overheating protection. 5. Handle button with cover protection. 6. Dishwasher-safe frying basket/frying plate.    
VOLTAGE	110V~127V/220V~240V	
FREQUENCY	50/60Hz	
WATTAGE	1300W	
QTY/CTN	2PCS/CTN	
GB MEAS	30*30*33cm	
CTN MEAS	62*32*36mm	
NW/PC	3.5kg	
GW/CTN	9kg	
LOADING QTY	820pcs/20GP 1736pcs/40GP 1933pcs/40HQ	

ZH

AIR FRYER 2.5L

Healthier way to enjoy your favorite fried food or simple need to save time in the kitchen.



FRYING BASKET&POT



FRYING PLATE&POT

GLA-620 (DIGITAL)

CAPACITY	2.5L basket; 3.5L pot
VOLTAGE	110V~127V/220V~240V
FREQUENCY	50/60Hz
WATTAGE	1300W
QTY/CTN	2PCS/CTN
GB MEAS	30*30*33cm
CTN MEAS	62*32*36mm
NW/PC	3.5kg
GW/CTN	9kg
LOADING QTY	820pcs/20GP 1736pcs/40GP 1933pcs/40HQ

FEATURES OF AIR FRYER:

1. Make crispy food with less oil.
2. Simply operate step for faster cooking.
3. Cool touch housing.
4. Overheating protection.
5. Handle button with cover protection.
6. Dishwasher-safe frying basket/frying plate.



Temp Control



60min Timer



Capacity



Non-stick Coating



3.5L
SERIES

AIR FRYER

Healthier way to enjoy your favorite fried food or simple need to save time in the kitchen.



Healthier way to enjoy your favorite fried food or simple need to save time in the kitchen.

+ GLA-605 (MANUAL)

CAPACITY	3.5L(basket); 4.5L(pot)
VOLTAGE	110V~127V/220V~240V
FREQUENCY	50/60Hz
WATTAGE	1400W
QTY/CTN	2PCS/CTN
GB MEAS	32*32*37cm
CTN MEAS	66*34*40mm
NW/PC	4.3kg
GW/CTN	10.8kg
LOADING QTY	710pcs/20GP 1440pcs/40GP 1676pcs/40HQ



+ GLA-606 (DIGITAL)

CAPACITY	3.5L(basket); 4.5L(pot)
VOLTAGE	110V~127V/220V~240V
FREQUENCY	50/60Hz
WATTAGE	1400W
QTY/CTN	2PCS/CTN
GB MEAS	32*32*37cm
CTN MEAS	66*34*40mm
NW/PC	4.3kg
GW/CTN	10.8kg
LOADING QTY	710pcs/20GP 1440pcs/40GP 1676pcs/40HQ



FEATURES OF AIR FRYER:

1. Make crispy food with less oil.
2. Simply operate step for faster cooking.
3. Cool touch housing.
4. Overheating protection.
5. Handle button with cover protection.
6. Dishwasher-safe frying basket/frying plate.



- FRYING BASKET&POT



- FRYING PLATE&POT

+ GLA-609 (MANUAL)

CAPACITY	3.5L(basket); 4.5L(pot)
VOLTAGE	110V~127V/220V~240V
FREQUENCY	50/60Hz
WATTAGE	1400W
QTY/CTN	2PCS/CTN
GB MEAS	32*32*37cm
CTN MEAS	66*34*40mm
NW/PC	4.3kg
GW/CTN	10.8kg
LOADING QTY	710pcs/20GP 1440pcs/40GP 1676pcs/40HQ

FEATURES OF AIR FRYER:

1. Make crispy food with less oil.
2. Simply operate step for faster cooking.
3. Cool touch housing.
4. Overheating protection.
5. Handle button with cover protection.
6. Dishwasher-safe frying basket/frying plate.



Healthier way to enjoy your favorite fried food or simple need to save time in the kitchen.

+ GLA-609A (MANUAL)

CAPACITY	3.5L(basket); 4.5L(pot)
VOLTAGE	110V~127V/220V~240V
FREQUENCY	50/60Hz
WATTAGE	1400W
QTY/CTN	2PCS/CTN
GB MEAS	32*32*37cm
CTN MEAS	66*34*40mm
NW/PC	4.3kg
GW/CTN	10.8kg
LOADING QTY	710pcs/20GP 1440pcs/40GP 1676pcs/40HQ



+ GLA-611 (MANUAL)

CAPACITY	3.5L(basket); 4.5L(pot)
VOLTAGE	110V~127V/220V~240V
FREQUENCY	50/60Hz
WATTAGE	1400W
QTY/CTN	2PCS/CTN
GB MEAS	32*32*37cm
CTN MEAS	66*34*40mm
NW/PC	4.3kg
GW/CTN	10.8kg
LOADING QTY	710pcs/20GP 1440pcs/40GP 1676pcs/40HQ



+ GLA-610 (DIGITAL)

CAPACITY	3.5L(basket); 4.5L(pot)
VOLTAGE	110V~127V/220V~240V
FREQUENCY	50/60Hz
WATTAGE	1400W
QTY/CTN	2PCS/CTN
GB MEAS	32*32*37cm
CTN MEAS	66*34*40mm
NW/PC	4.3kg
GW/CTN	10.8kg
LOADING QTY	710pcs/20GP 1440pcs/40GP 1676pcs/40HQ



+ GLA-612 (DIGITAL)

CAPACITY	3.5L(basket); 4.5L(pot)
VOLTAGE	110V~127V/220V~240V
FREQUENCY	50/60Hz
WATTAGE	1400W
QTY/CTN	2PCS/CTN
GB MEAS	32*32*37cm
CTN MEAS	66*34*40mm
NW/PC	4.3kg
GW/CTN	10.8kg
LOADING QTY	710pcs/20GP 1440pcs/40GP 1676pcs/40HQ



FEATURES OF AIR FRYER:

1. Make crispy food with less oil.
2. Simply operate step for faster cooking.
3. Cool touch housing.
4. Overheating protection.
5. Handle button with cover protection.
6. Dishwasher-safe frying basket/frying plate.



FEATURES OF AIR FRYER:

1. Make crispy food with less oil.
2. Simply operate step for faster cooking.
3. Cool touch housing.
4. Overheating protection.
5. Handle button with cover protection.
6. Dishwasher-safe frying basket/frying plate.



Healthier way to enjoy your favorite fried food or simple need to save time in the kitchen.

+ GLA-617 (MANUAL)

CAPACITY	3.5L(basket); 4.5L(pot)
VOLTAGE	110V~127V/220V~240V
FREQUENCY	50/60Hz
WATTAGE	1400W
QTY/CTN	2PCS/CTN
GB MEAS	32*32*37cm
CTN MEAS	66*34*40mm
NW/PC	4.3KGS
GW/CTN	10.8KG
LOADING QTY	710pcs/20GP 1440pcs/40GP 1676pcs/40HQ



+ GLA-618 (DIGITAL)

CAPACITY	3.5L(basket); 4.5L(pot)
VOLTAGE	110V~127V/220V~240V
FREQUENCY	50/60Hz
WATTAGE	1400W
QTY/CTN	2PCS/CTN
GB MEAS	32*32*37cm
CTN MEAS	66*34*40mm
NW/PC	4.3KGS
GW/CTN	10.8KG
LOADING QTY	710pcs/20GP 1440pcs/40GP 1676pcs/40HQ



FEATURES OF AIR FRYER:

1. Make crispy food with less oil.
2. Simply operate step for faster cooking.
3. Cool touch housing.
4. Overheating protection.
5. Handle button with cover protection.
6. Dishwasher-safe frying basket/frying plate.



+ GLA-301 (MANUAL)

CAPACITY	3.5L(basket); 4.5L(pot)
VOLTAGE	110V~127V/220V~240V
FREQUENCY	50/60Hz
WATTAGE	1400W
QTY/CTN	2PCS/CTN
GB MEAS	32*32*37cm
CTN MEAS	66*34*40mm
NW/PC	4.3KGS
GW/CTN	10.8KG
LOADING QTY	710pcs/20GP 1440pcs/40GP 1676pcs/40HQ



+ GLA-302 (DIGITAL)

CAPACITY	3.5L(basket); 4.5L(pot)
VOLTAGE	110V~127V/220V~240V
FREQUENCY	50/60Hz
WATTAGE	1400W
QTY/CTN	2PCS/CTN
GB MEAS	32*32*37cm
CTN MEAS	66*34*40mm
NW/PC	4.3KGS
GW/CTN	10.8KG
LOADING QTY	710pcs/20GP 1440pcs/40GP 1676pcs/40HQ



FEATURES OF AIR FRYER:

1. Make crispy food with less oil.
2. Simply operate step for faster cooking.
3. Cool touch housing.
4. Overheating protection.
5. Handle button with cover protection.
6. Dishwasher-safe frying basket/frying plate.



ZH

AIR FRYER 3.5L

Healthier way to enjoy your favorite fried food or simple need to save time in the kitchen.

+ GLA-711 (MANUAL)

CAPACITY	3.5L(basket); 4.5L(pot)
VOLTAGE	110V~127V/220V~240V
FREQUENCY	50/60Hz
WATTAGE	1400W
QTY/CTN	2PCS/CTN
GB MEAS	32*32*37cm
CTN MEAS	66*34*40mm
NW/PC	4.3kg
GW/CTN	10.8kg
LOADING QTY	710pcs/20GP 1440pcs/40GP 1676pcs/40HQ



+ GLA-712 (DIGITAL)

CAPACITY	3.5L(basket); 4.5L(pot)
VOLTAGE	110V~127V/220V~240V
FREQUENCY	50/60Hz
WATTAGE	1400W
QTY/CTN	2PCS/CTN
GB MEAS	32*32*37cm
CTN MEAS	66*34*40mm
NW/PC	4.3kg
GW/CTN	10.8kg
LOADING QTY	710pcs/20GP 1440pcs/40GP 1676pcs/40HQ



FEATURES OF AIR FRYER:

1. Make crispy food with less oil.
2. Simply operate step for faster cooking.
3. Cool touch housing.
4. Overheating protection.
5. Handle button with cover protection.
6. Dishwasher-safe frying basket/frying plate.



4.0L
SERIES

AIR FRYER

Healthier way to enjoy your favorite fried food or simple need to save time in the kitchen.



AIR FRYER 4L SINGLE POT

Healthier way to enjoy your favorite fried food or simple need to save time in the kitchen.

FEATURES OF AIR FRYER:

1. Non-stick coating for easy-to-clean.
2. Detachable frying basket.
3. With over heat protection.
4. 30 minute timer automatically.
5. Adjustable thermostat control temperature.
6. Shut off for precise cooking.
7. Non-slip feet.



GLA-3011



GLA-3011A



GLA-3011B

+ GLA-3011/GLA-3011A/GLA-3011B (MANUAL)

CAPACITY	4L pot
VOLTAGE	110V~127V/220V~240V
FREQUENCY	50/60Hz
WATTAGE	1300W
QTY/CTN	2PCS/CTN
GB MEAS	33*33*38cm
CTN MEAS	66*34*40mm
NW/PC	3.6kg
GW/CTN	9kg
LOADING QTY	570pcs/20GP 1200pcs/40GP 1420pcs/40HQ



FEATURES OF AIR FRYER:

1. Non-stick coating for easy-to-clean.
2. Detachable frying basket.
3. With over heat protection.
4. 30 minute timer automatically.
5. Adjustable thermostat control temperature.
6. Shut off for precise cooking.
7. Non-slip feet.



GLA-3012



GLA-3012A

+ GLA-3012/GLA-3012A (DIGITAL)

CAPACITY	4L pot
VOLTAGE	110V~127V/220V~240V
FREQUENCY	50/60Hz
WATTAGE	1300W
QTY/CTN	2PCS/CTN
GB MEAS	33*33*38cm
CTN MEAS	66*34*40mm
NW/PC	3.6kg
GW/CTN	9kg
LOADING QTY	570pcs/20GP 1200pcs/40GP 1420pcs/40HQ



ZH

AIR FRYER 4L

Healthier way to enjoy your favorite fried food or simple need to save time in the kitchen.



- FRYING BASKET&POT



- FRYING PLATE&POT

+ GLA-305 (MANUAL)/GLA-306 (DIGITAL)

CAPACITY	4L(basket); 4.5L(pot)
VOLTAGE	110V~127V/220V~240V
FREQUENCY	50/60Hz
WATTAGE	1300W
QTY/CTN	2PCS/CTN
GB MEAS	33*33*38cm
CTN MEAS	66*34*40mm
NW/PC	3.6kg
GW/CTN	9kg
LOADING QTY	570pcs/20GP 1200pcs/40GP 1420pcs/40HQ

FEATURES OF AIR FRYER:

1. Non-stick coating for easy-to-clean.
2. Detachable frying basket.
3. With over heat protection.
4. 30 minute timer automatically.
5. Adjustable thermostat control temperature.
6. Shut off for precise cooking.
7. Non-slip feet.



ZEHUI
YONGKANG ZEHUI METAL PRODUCTS
CO.,LTD



ZH

AIR FRYER 4L

Healthier way to enjoy your favorite fried food or simple need to save time in the kitchen.



GLA-307 (MANUAL)

CAPACITY	4L basket, 4.5L pot
VOLTAGE	110V~120V/220V~240V
FREQUENCY	50/60Hz
WATTAGE	1700W
QTY/CTN	2PCS/CTN
GB MEAS	33*33*38cm
CTN MEAS	66*34*40mm
NW/PC	4.7kg
GW/CTN	12kg
LOADING QTY	570pcs/20GP 1200pcs/40GP 1420pcs/40HQ



GLA-308 (DIGITAL)

CAPACITY	4L basket, 4.5L pot
VOLTAGE	110V~120V/220V~240V
FREQUENCY	50/60Hz
WATTAGE	1700W
QTY/CTN	2PCS/CTN
GB MEAS	33*33*38cm
CTN MEAS	66*34*40mm
NW/PC	4.7kg
GW/CTN	12kg
LOADING QTY	570pcs/20GP 1200pcs/40GP 1420pcs/40HQ



ZH

AIR FRYER 6L

Healthier way to enjoy your favorite fried food or simple need to save time in the kitchen.



GLA-501 (MANUAL)

CAPACITY	6L bakset, 7L pot
VOLTAGE	110V~120V/220V~240V
FREQUENCY	50/60Hz
WATTAGE	1800W
QTY/CTN	2PCS/CTN
GB MEAS	38*38*41cm
CTN MEAS	75*38*42mm
NW/PC	5.7kg
GW/CTN	14kg
LOADING QTY	480pcs/20GP 972pcs/40GP 1116pcs/40HQ



GLA-502 (DIGITAL)

CAPACITY	6L bakset, 7L pot
VOLTAGE	110V~120V/220V~240V
FREQUENCY	50/60Hz
WATTAGE	1800W
QTY/CTN	2PCS/CTN
GB MEAS	38*38*41cm
CTN MEAS	75*38*42mm
NW/PC	5.7kg
GW/CTN	14kg
LOADING QTY	480pcs/20GP 972pcs/40GP 1116pcs/40HQ



ZH

AIR FRYER 4L

Healthier way to enjoy your favorite fried food or simple need to save time in the kitchen.



GLA-309 (MANUAL)

CAPACITY	4L basket, 4.5L pot
VOLTAGE	110V~120V/220V~240V
FREQUENCY	50/60Hz
WATTAGE	1700W
QTY/CTN	2PCS/CTN
GB MEAS	33*33*38cm
CTN MEAS	66*34*40mm
NW/PC	4.7kg
GW/CTN	12kg
LOADING QTY	570pcs/20GP 1200pcs/40GP 1420pcs/40HQ



GLA-310 (DIGITAL)

CAPACITY	4L basket, 4.5L pot
VOLTAGE	110V~120V/220V~240V
FREQUENCY	50/60Hz
WATTAGE	1700W
QTY/CTN	2PCS/CTN
GB MEAS	33*33*38cm
CTN MEAS	66*34*40mm
NW/PC	4.7kg
GW/CTN	12kg
LOADING QTY	570pcs/20GP 1200pcs/40GP 1420pcs/40HQ



ZH

AIR FRYER 6L

Healthier way to enjoy your favorite fried food or simple need to save time in the kitchen.



GLA-505 (MANUAL)

CAPACITY	6L bakset, 7L pot
VOLTAGE	110V~120V/220V~240V
FREQUENCY	50/60Hz
WATTAGE	1800W
QTY/CTN	2PCS/CTN
GB MEAS	38*38*41cm
CTN MEAS	75*38*42mm
NW/PC	5.7kg
GW/CTN	14kg
LOADING QTY	480pcs/20GP 972pcs/40GP 1116pcs/40HQ



GLA-506 (DIGITAL)

CAPACITY	6L bakset, 7L pot
VOLTAGE	110V~120V/220V~240V
FREQUENCY	50/60Hz
WATTAGE	1800W
QTY/CTN	2PCS/CTN
GB MEAS	38*38*41cm
CTN MEAS	75*38*42mm
NW/PC	5.7kg
GW/CTN	14kg
LOADING QTY	480pcs/20GP 972pcs/40GP 1116pcs/40HQ



ZH

AIR FRYER 4L

Healthier way to enjoy your favorite fried food or simple need to save time in the kitchen.



+ GLA-331 (MANUAL)

CAPACITY	4L basket, 4.5L pot
VOLTAGE	110V~120V/220V~240V
FREQUENCY	50/60Hz
WATTAGE	1700W
QTY/CTN	2PCS/CTN
GB MEAS	33*33*38cm
CTN MEAS	66*34*40mm
NW/PC	4.7kg
GW/CTN	12kg
LOADING QTY	570pcs/20GP 1200pcs/40GP 1420pcs/40HQ



+ GLA-332 (DIGITAL)

CAPACITY	4L basket, 4.5L pot
VOLTAGE	110V~120V/220V~240V
FREQUENCY	50/60Hz
WATTAGE	1700W
QTY/CTN	2PCS/CTN
GB MEAS	33*33*38cm
CTN MEAS	66*34*40mm
NW/PC	4.7kg
GW/CTN	12kg
LOADING QTY	570pcs/20GP 1200pcs/40GP 1420pcs/40HQ



ZH

AIR FRYER 6L

Healthier way to enjoy your favorite fried food or simple need to save time in the kitchen.



+ GLA-531 (MANUAL)

CAPACITY	6L basket, 7L pot
VOLTAGE	110V~120V/220V~240V
FREQUENCY	50/60Hz
WATTAGE	1800W
QTY/CTN	2PCS/CTN
GB MEAS	38*33*41cm
CTN MEAS	75*38*42mm
NW/PC	5.7kg
GW/CTN	14kg
LOADING QTY	430pcs/20GP 972pcs/40GP 1116pcs/40HQ



+ GLA-532 (DIGITAL)

CAPACITY	6L basket, 7L pot
VOLTAGE	110V~120V/220V~240V
FREQUENCY	50/60Hz
WATTAGE	1800W
QTY/CTN	2PCS/CTN
GB MEAS	38*33*41cm
CTN MEAS	75*38*42mm
NW/PC	5.7kg
GW/CTN	14kg
LOADING QTY	430pcs/20GP 972pcs/40GP 1116pcs/40HQ

ZH

AIR FRYER 6L

Healthier way to enjoy your favorite fried food or simple need to save time in the kitchen.

NEW



ZEHUI
YONGKANG ZEHUI METAL PRODUCTS CO.,LTD

+ GLA-521(MANUAL)

CAPACITY	6L basket, 7L pot
VOLTAGE	110V~127V/220V~240V
FREQUENCY	50/60HZ
WATTAGE	1800W
QTY/CTN	2PCS/CTN
GB MEAS	372*372*405mm
CTN MEAS	760*385*425mm
NW/PC	5.5kg
GW/CTN	14.7kg
LOADING QTY	454PCS/20GP 930PCS/40GP 1056PCS/40HQ



+ GLA-522 (DIGITAL)

CAPACITY	6L basket, 7L pot
VOLTAGE	110V~127V/220V~240V
FREQUENCY	50/60HZ
WATTAGE	1800W
QTY/CTN	2PCS/CTN
GB MEAS	372*372*405mm
CTN MEAS	760*385*425mm
NW/PC	5.5kg
GW/CTN	14.7kg
LOADING QTY	454PCS/20GP 930PCS/40GP 1056PCS/40HQ



Healthier way to enjoy your favorite fried food or simple need to save time in the kitchen.

+ GLA-525 (MANUAL)

CAPACITY	6L basket, 7L pot
VOLTAGE	110V~127V/220V~240V
FREQUENCY	50/60HZ
WATTAGE	1800W
QTY/CTN	2PCS/CTN
GB MEAS	372*372*405mm
CTN MEAS	760*385*425mm
NW/PC	5.5kg
GW/CTN	14.7kg
LOADING QTY	454PCS/20GP 930PCS/40GP 1056PCS/40HQ



+ GLA-527 (MANUAL)

CAPACITY	6L basket, 7L pot
VOLTAGE	110V~127V/220V~240V
FREQUENCY	50/60HZ
WATTAGE	1800W
QTY/CTN	2PCS/CTN
GB MEAS	372*372*405mm
CTN MEAS	760*385*425mm
NW/PC	5.5kg
GW/CTN	14.7kg
LOADING QTY	454PCS/20GP 930PCS/40GP 1056PCS/40HQ



+ GLA-526 (DIGITAL)

CAPACITY	6L basket, 7L pot
VOLTAGE	110V~127V/220V~240V
FREQUENCY	50/60HZ
WATTAGE	1800W
QTY/CTN	2PCS/CTN
GB MEAS	372*372*405mm
CTN MEAS	760*385*425mm
NW/PC	5.5kg
GW/CTN	14.7kg
LOADING QTY	454PCS/20GP 930PCS/40GP 1056PCS/40HQ



+ GLA-528 (DIGITAL)

CAPACITY	6L basket, 7L pot
VOLTAGE	110V~127V/220V~240V
FREQUENCY	50/60HZ
WATTAGE	1800W
QTY/CTN	2PCS/CTN
GB MEAS	372*372*405mm
CTN MEAS	760*385*425mm
NW/PC	5.5kg
GW/CTN	14.7kg
LOADING QTY	454PCS/20GP 930PCS/40GP 1056PCS/40HQ



ZH AIR FRYER

The best way to enjoy your favorite fried food or simply need to save time in the kitchen.

5.5L场景图 616A.718



ZEHUI
YONGKANG ZEHUI METAL PRODUCTS
CO.,LTD

+ GLA-615 (MANUAL)

CAPACITY	5.5L basket, 7.2L pot
VOLTAGE	110V~120V/220V~240V
FREQUENCY	50/60Hz
WATTAGE	1800W
QTY/CTN	2PCS/CTN
GB MEAS	37*37*41cm
CTN MEAS	76*38*43mm
NW/PC	5.5KGS
GW/CTN	13.7KG
LOADING QTY	480pcs/20GP 972pcs/40GP 1116pcs/40HQ



+ GLA-616 (DIGITAL)

CAPACITY	5.5L basket, 7.2L pot
VOLTAGE	110V~120V/220V~240V
FREQUENCY	50/60Hz
WATTAGE	1800W
QTY/CTN	2PCS/CTN
GB MEAS	37*37*41cm
CTN MEAS	76*38*43mm
NW/PC	5.5KGS
GW/CTN	13.7KG
LOADING QTY	480pcs/20GP 972pcs/40GP 1116pcs/40HQ



FEATURES OF AIR FRYER:

1. Make crispy food with less oil.
2. Simply operate step for faster cooking.
3. Cool touch housing.
4. Overheating protection.
5. Handle button with cover protection.
6. Dishwasher-safe frying basket.



AIR FRYER 5.5L

Healthier way to enjoy your favorite fried food or simple need to save time in the kitchen.

+ GLA-615A (MANUAL)

CAPACITY	5.5L basket, 7.2L pot
VOLTAGE	110V~120V/220V~240V
FREQUENCY	50/60Hz
WATTAGE	1800W
QTY/CTN	2PCS/CTN
GB MEAS	37*37*41cm
CTN MEAS	76*38*43mm
NW/PC	5.5KGS
GW/CTN	13.7KG
LOADING QTY	480pcs/20GP 972pcs/40GP 1116pcs/40HQ



+ GLA-715 (MANUAL)

CAPACITY	5.5L basket, 7.2L pot
VOLTAGE	110V~120V/220V~240V
FREQUENCY	50/60Hz
WATTAGE	1800W
QTY/CTN	2PCS/CTN
GB MEAS	37*37*41cm
CTN MEAS	76*38*43mm
NW/PC	5.5KGS
GW/CTN	13.7KG
LOADING QTY	480pcs/20GP 972pcs/40GP 1148pcs/40HQ



+ GLA-616A (DIGITAL)

CAPACITY	5.5L basket, 7.2L pot
VOLTAGE	110V~120V/220V~240V
FREQUENCY	50/60Hz
WATTAGE	1800W
QTY/CTN	2PCS/CTN
GB MEAS	37*37*41cm
CTN MEAS	76*38*43mm
NW/PC	5.5KGS
GW/CTN	13.7KG
LOADING QTY	480pcs/20GP 972pcs/40GP 1116pcs/40HQ



+ GLA-716 (DIGITAL)

CAPACITY	5.5L basket, 7.2L pot
VOLTAGE	110V~120V/220V~240V
FREQUENCY	50/60Hz
WATTAGE	1800W
QTY/CTN	2PCS/CTN
GB MEAS	37*37*41cm
CTN MEAS	76*38*43mm
NW/PC	5.5KGS
GW/CTN	13.7KG
LOADING QTY	480pcs/20GP 972pcs/40GP 1148pcs/40HQ



FEATURES OF AIR FRYER:

1. Make crispy food with less oil.
2. Simply operate step for faster cooking.
3. Cool touch housing.
4. Overheating protection.
5. Handle button with cover protection.
6. Dishwasher-safe frying basket.



FEATURES OF AIR FRYER:

1. Make crispy food with less oil.
2. Simply operate step for faster cooking.
3. Cool touch housing.
4. Overheating protection.
5. Handle button with cover protection.
6. Dishwasher-safe frying basket.



Healthier way to enjoy your favorite fried food or simple need to save time in the kitchen.

+ GLA-717 (MANUAL)

CAPACITY	5.5L basket, 7.2L pot
VOLTAGE	110V~120V/220V~240V
FREQUENCY	50/60Hz
WATTAGE	1800W
QTY/CTN	2PCS/CTN
GB MEAS	37*37*41cm
CTN MEAS	76*38*43mm
NW/PC	5.5KGS
GW/CTN	13.7KG
LOADING QTY	480pcs/20GP 972pcs/40GP 1143pcs/40HQ



+ GLA-718 (DIGITAL)

CAPACITY	5.5L basket, 7.2L pot
VOLTAGE	110V~120V/220V~240V
FREQUENCY	50/60Hz
WATTAGE	1800W
QTY/CTN	2PCS/CTN
GB MEAS	37*37*41cm
CTN MEAS	76*38*43mm
NW/PC	5.5KGS
GW/CTN	13.7KG
LOADING QTY	480pcs/20GP 972pcs/40GP 1148pcs/40HQ



FEATURES OF AIR FRYER:

1. Make crispy food with less oil.
2. Simply operate step for faster cooking.
3. Cool touch housing.
4. Overheating protection.
5. Handle button with cover protection.
6. Dishwasher-safe frying basket.



+ GLA-719 (MANUAL)

CAPACITY	5.5L basket, 7.2L pot
VOLTAGE	110V~120V/220V~240V
FREQUENCY	50/60Hz
WATTAGE	1800W
QTY/CTN	2PCS/CTN
GB MEAS	37*37*41cm
CTN MEAS	76*38*43mm
NW/PC	5.5KGS
GW/CTN	13.7KG
LOADING QTY	480pcs/20GP 972pcs/40GP 1148pcs/40HQ



+ GLA-720 (DIGITAL)

CAPACITY	5.5L basket, 7.2L pot
VOLTAGE	110V~120V/220V~240V
FREQUENCY	50/60Hz
WATTAGE	1800W
QTY/CTN	2PCS/CTN
GB MEAS	37*37*41cm
CTN MEAS	76*38*43mm
NW/PC	5.5KGS
GW/CTN	13.7KG
LOADING QTY	480pcs/20GP 972pcs/40GP 1148pcs/40HQ



FEATURES OF AIR FRYER:

1. Make crispy food with less oil.
2. Simply operate step for faster cooking.
3. Cool touch housing.
4. Overheating protection.
5. Handle button with cover protection.
6. Dishwasher-safe frying basket.



ZH

AIR FRYER 5.5L

Healthier way to enjoy your favorite fried food or simple need to save time in the kitchen.



GLA-815



GLA-816

GLA-816A



+ GLA-815/GLA-816 (DIGITAL)/GLA-816A (MANUAL)

CAPACITY	5.5L basket, 7.2L pot
VOLTAGE	110V~120V/220V~240V
FREQUENCY	50/60Hz
WATTAGE	1800W
QTY/CTN	2PCS/CTN
GB MEAS	37*37*41cm
CTN MEAS	76*39*43mm
NW/PC	5.5KGS
GW/CTN	13.7KG
LOADING QTY	480pcs/20GP 972pcs/40GP 1116pcs/40HQ

FEATURES OF AIR FRYER:

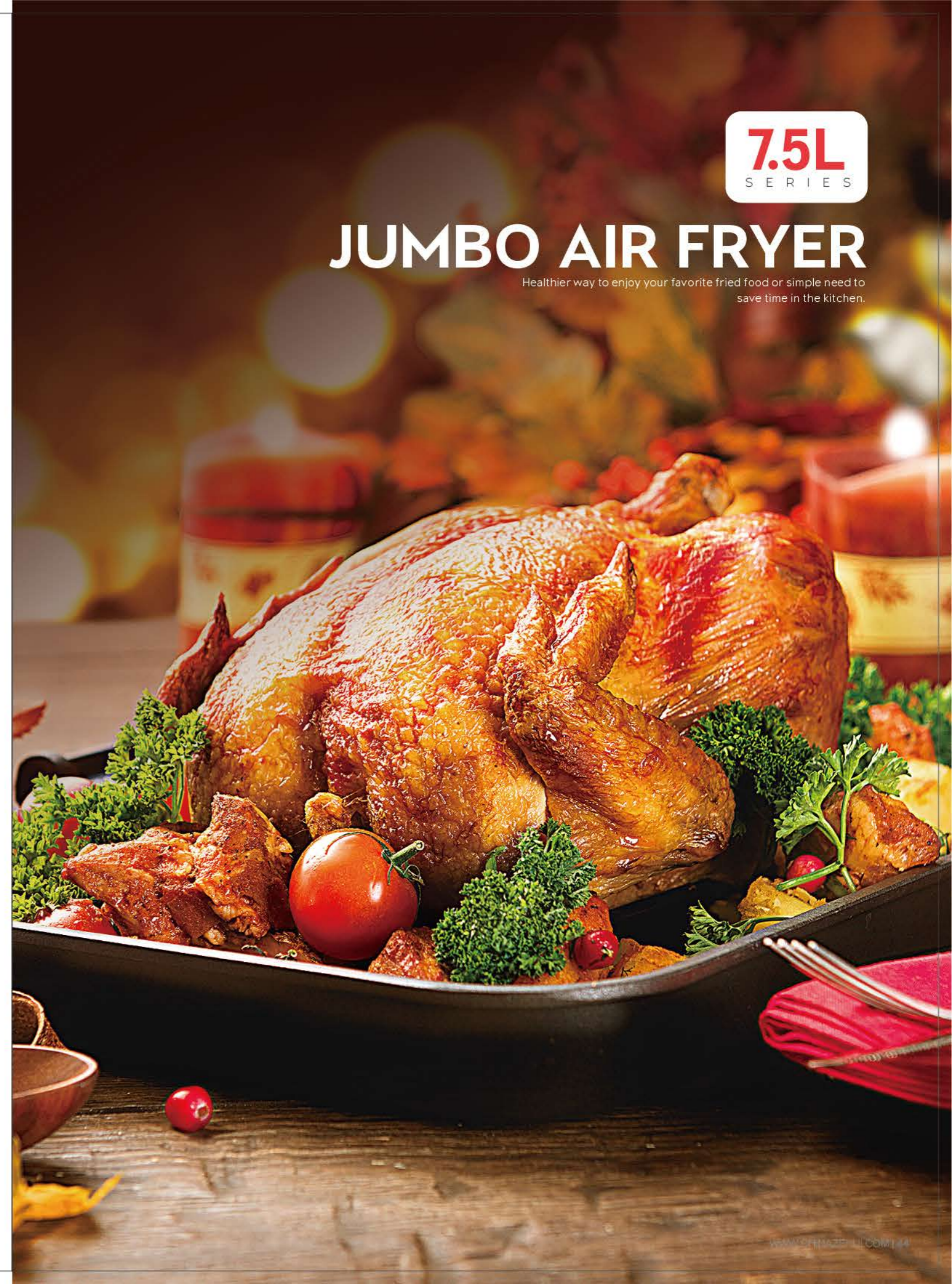
1. Make crispy food with less oil.
2. Simply operate step for faster cooking.
3. Cool touch housing.
4. Overheating protection.
5. Handle button with cover protection.
6. Dishwasher-safe frying basket.



7.5L
SERIES

JUMBO AIR FRYER

Healthier way to enjoy your favorite fried food or simple need to save time in the kitchen.



Healthier way to enjoy your favorite fried food or simple need to save time in the kitchen.

+ GLA-901 (MANUAL)

CAPACITY	7.5L basket, 8.5L pot
VOLTAGE	110V~120V/220V~240V
FREQUENCY	50/60Hz
WATTAGE	1800W
QTY/CTN	1PCS/CTN
GB MEAS	38.5*38.5*41cm
CTN MEAS	40*40*43.5mm
NW/PC	6.0KGS
GW/CTN	7.7KG
LOADING QTY	350pcs/20GP 870pcs/40GP



+ GLA-905 (MANUAL)

CAPACITY	7.5L basket, 8.5L pot
VOLTAGE	110V~120V/220V~240V
FREQUENCY	50/60Hz
WATTAGE	1800W
QTY/CTN	1PCS/CTN
GB MEAS	38.5*38.5*41cm
CTN MEAS	40*40*43.5mm
NW/PC	6.0KGS
GW/CTN	7.7KG
LOADING QTY	350pcs/20GP 870pcs/40GP



+ GLA-902 (DIGITAL)

CAPACITY	7.5L basket, 8.5L pot
VOLTAGE	110V~120V/220V~240V
FREQUENCY	50/60Hz
WATTAGE	1800W
QTY/CTN	1PCS/CTN
GB MEAS	38.5*38.5*41cm
CTN MEAS	40*40*43.5mm
NW/PC	6.0KGS
GW/CTN	7.7KG
LOADING QTY	350pcs/20GP 870pcs/40GP



+ GLA-906 (DIGITAL)

CAPACITY	7.5L basket, 8.5L pot
VOLTAGE	110V~120V/220V~240V
FREQUENCY	50/60Hz
WATTAGE	1800W
QTY/CTN	1PCS/CTN
GB MEAS	38.5*38.5*41cm
CTN MEAS	40*40*43.5mm
NW/PC	6.0KGS
GW/CTN	7.7KG
LOADING QTY	350pcs/20GP 870pcs/40GP



FEATURES OF AIR FRYER:

1. Make crispy food with less oil.
2. Simply operate step for faster cooking.
3. Cool touch housing.
4. Overheating protection.
5. Handle button with cover protection.
6. Dishwasher-safe frying basket.



FEATURES OF AIR FRYER:

1. Make crispy food with less oil.
2. Simply operate step for faster cooking.
3. Cool touch housing.
4. Overheating protection.
5. Handle button with cover protection.
6. Dishwasher-safe frying basket.



ZH

AIRFRYER OVEN 12L

Healthier way to enjoy your favorite fried food or simple need to save time in the kitchen.

FEATURES OF AIR FRYER:

1. Large LCD display, touch control, with 9 preset program.
2. Big capacity: 12L.
3. 80-200°C adjustable temperature controller.
4. 0-90-minute Timer.
5. Can keep warming function for 2 hour after cooking.
6. Overheating protection.
7. With Light inside, able to see the cooking process.



GLA-1001

CAPACITY	12L
VOLTAGE	110V/220V~240V
FREQUENCY	50/60Hz
WATTAGE	1800W
QTY/CTN	1PCS/CTN
GB MEAS	37*38*45cm
CTN MEAS	39*40*47mm
NW/PC	6.0KGS
GW/CTN	7.7KG
LOADING QTY	350pcs/20GP 870pcs/40GP



Temp Control



90min Timer



Capacity



Non-stick Coating

ZEHUI

YONGKANG ZEHUI METAL PRODUCTS CO.,LTD



Rotisserie Skewers Set



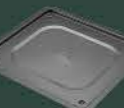
Rotating Round Basket



Rotisserie Shaft & Forks



Fetch Tool



Drip Tray



Crisper Trays

AIRFRYER OVEN 12L

Healthier way to enjoy your favorite fried food or simple need to save time in the kitchen.



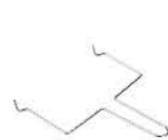
Rotisserie Skewers Set



Rotating Round Basket



Rotisserie Shaft & Forks



Fetch Tool



Drip Tray



Crisper Trays

+ GLA-1003

CAPACITY	12L
VOLTAGE	110V/220V~240V
FREQUENCY	50/60Hz
WATTAGE	1800W
QTY/CTN	1PCS/CTN
GB MEAS	37*33*45cm
CTN MEAS	39*40*47mm
NW/PC	6.0KGS
GW/CTN	7.7KG
LOADING QTY	350pcs/20GP 870pcs/40GP

FEATURES OF AIR FRYER:

1. Large LCD display, touch control, with 9 preset program.
2. Big capacity: 12L.
3. 80-200°C adjustable temperature controller.
4. 0-90-minute Timer.
5. Can keep warming function for 2 hour after cooking.
6. Overheating protection.
7. With Light inside, able to see the cooking process.



Temp Control



90min Timer



Capacity



Non-stick Coating



Rotisserie Skewers Set



Rotating Round Basket



Rotisserie Shaft & Forks



Fetch Tool



Drip Tray



Crisper Trays

+ GLA-1005

CAPACITY	12L
VOLTAGE	110V/220V~240V
FREQUENCY	50/60Hz
WATTAGE	1800W
QTY/CTN	1PCS/CTN
GB MEAS	37*33*45cm
CTN MEAS	39*40*47mm
NW/PC	6.0KGS
GW/CTN	7.7KG
LOADING QTY	350pcs/20GP 870pcs/40GP

FEATURES OF AIR FRYER:

1. Large LCD display, touch control, with 9 preset program.
2. Big capacity: 12L.
3. 80-200°C adjustable temperature controller.
4. 0-90-minute Timer.
5. Can keep warming function for 2 hour after cooking.
6. Overheating protection.
7. With Light inside, able to see the cooking process.



Temp Control



90min Timer



Capacity



Non-stick Coating



AIRFRYER OVEN 12L

Healthier way to enjoy your favorite fried food or simple need to save time in the kitchen.



GLA-1006

GLA-1006A



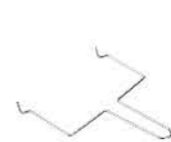
Rotisserie Skewers Set



Rotating Round Basket



Rotisserie Shaft & Forks



Fetch Tool



Drip Tray



Crisper Trays

+ GLA-1006/GLA-1006A

CAPACITY	12L
VOLTAGE	110V/220V~240V
FREQUENCY	50/60Hz
WATTAGE	1800W
QTY/CTN	1PCS/CTN
GB MEAS	37*33*45cm
CTN MEAS	39*40*47mm
NW/PC	6.0KGS
GW/CTN	7.7KG
LOADING QTY	350pcs/20GP 870pcs/40GP

FEATURES OF AIR FRYER:

1. Large LCD display, touch control, with 9 preset program.
2. Big capacity: 12L.
3. 80-200°C adjustable temperature controller.
4. 0-90-minute Timer.
5. Can keep warming function for 2 hour after cooking.
6. Overheating protection.
7. With Light inside, able to see the cooking process.



Temp Control



90min Timer



Capacity



Non-stick Coating



GLA-1006J

GLA-1006AJ



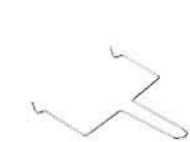
Rotisserie Skewers Set



Rotating Round Basket



Rotisserie Shaft & Forks



Fetch Tool



Drip Tray



Crisper Trays

+ GLA-1006J/GLA-1006AJ

CAPACITY	12L
VOLTAGE	110V/220V~240V
FREQUENCY	50/60Hz
WATTAGE	1800W
QTY/CTN	1PCS/CTN
GB MEAS	37*33*45cm
CTN MEAS	39*40*47mm
NW/PC	6.0KGS
GW/CTN	7.7KG
LOADING QTY	350pcs/20GP 870pcs/40GP

FEATURES OF AIR FRYER:

1. Large LCD display, touch control, with 9 preset program.
2. Big capacity: 12L.
3. 80-200°C adjustable temperature controller.
4. 0-90-minute Timer.
5. Can keep warming function for 2 hour after cooking.
6. Overheating protection.
7. With Light inside, able to see the cooking process.



Temp Control



90min Timer



Capacity



Non-stick Coating

ZH

AIRFRYER OVEN 12L

Healthier way to enjoy your favorite fried food or simple need to save time in the kitchen.



Detachable



+ GLA-1007

CAPACITY	12L
VOLTAGE	110V/220V~240V
FREQUENCY	50/60Hz
WATTAGE	1800W
QTY/CTN	1PCS/CTN
GB MEAS	37*38*45cm
CTN MEAS	39*40*47mm
NW/PC	6.0KGS
GW/CTN	7.7KG
LOADING QTY	350pcs/20GP 870pcs/40GP

FEATURES OF AIR FRYER:

1. Large LCD display, touch control, with 9 preset program.
2. Big capacity: 12L.
3. 80-200°C adjustable temperature controller.
4. 0-90-minute Timer.
5. Can keep warming function for 2 hour after cooking.
6. Overheating protection.
7. With Light inside, able to see the cooking process.



ZH

AIRFRYER OVEN 12L

Healthier way to enjoy your favorite fried food or simple need to save time in the kitchen.



ZEHUI

YONGKANG ZEHUI METAL PRODUCTS CO.,LTD

FEATURES OF AIR FRYER:

1. Large LCD display, touch control, with 9 preset program.
2. Big capacity: 12L.
3. 80-200°C adjustable temperature controller.
4. 0-90-minute Timer.
5. Can keep warming function for 2 hour after cooking.
6. Overheating protection.
7. With Light inside, able to see the cooking process.

Detachable

GLA-1008

CAPACITY	12L
VOLTAGE	110V/220V~240V
FREQUENCY	50/60Hz
WATTAGE	1800W
QTY/CTN	1PCS/CTN
GB MEAS	37*38*45cm
CTN MEAS	39*40*47mm
NW/PC	6.0KGS
GW/CTN	7.7KG
LOADING QTY	350pcs/20GP 870pcs/40GP



OPTIONAL ACCESSORIES FOR AIR FRYER



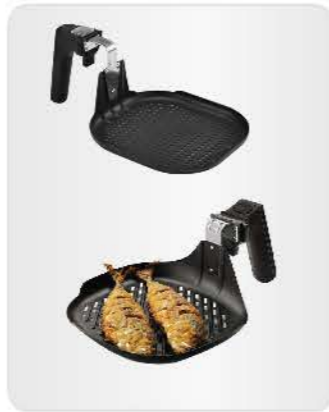
Pizza pan

For cooking pizza, pies, omelets, quesadillas and more.



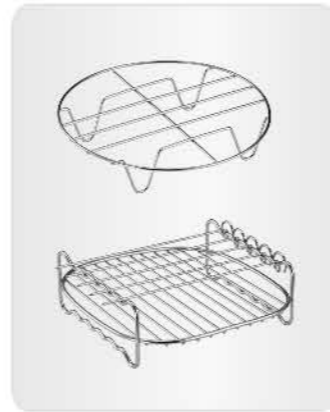
Cake barrel

For baking delicious cakes, bread, gratin, quiche and much more, in an easy, quick and healthy way!



Grill pan [fish pan]

Perforated surface creates ideal air flow while grilling. For grill and sear meat, fish and vegetables.



Stainless steel grill

Use skewers for shish kabob on the top layer and other foods on the grate layer.



Foodtong

For placing food in, flipping & removing food.



Silicone cake Cup

For baking Muffin and egg bites. Heat Resistant up to 450°F.



Silicone Mat

Protect countertop surfaces with the Silicone Mat against the hot item.



Food divider

Cooking 2 different foods at the same time without them coming into contact.



Silicone brush

For evenly spreads oil and sauce on food.



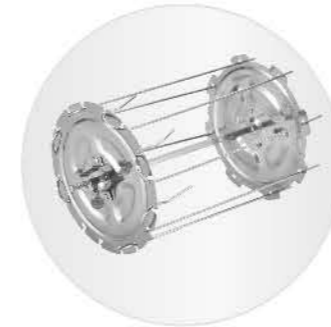
Glove



OPTIONAL ACCESSORIES FOR AIRFRYER OVEN

Rotisserie Skewers Set

Great for kabob recipes, meat, fish or veggies.



Rotisserie Shaft & Forks

Roasts whole chicken.



Crisper Trays

Dehydrate fruit, veggies & more.



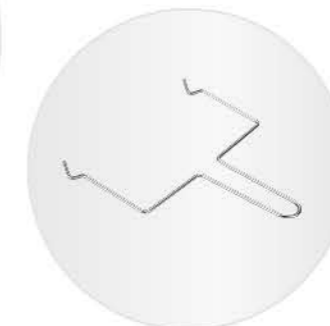
Rotating Round Basket

Great for fries, roasted nuts, and other snack.



Drip Tray

Catch juices or oils from food to make clean-up easy.



Fetch Tool

